

# WE2107M

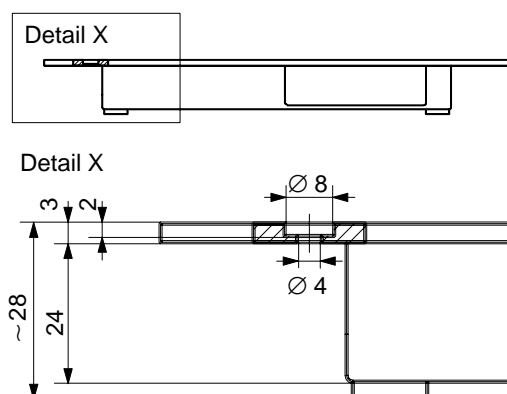
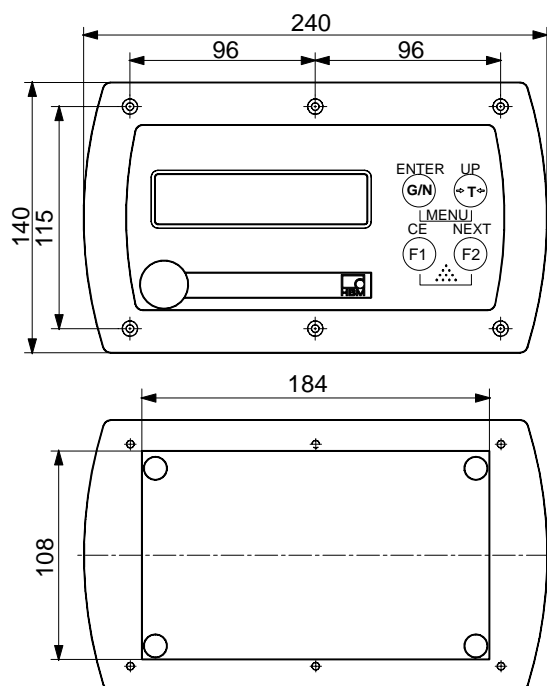
Stainless steel weighing indicator (NAWI)

## Special features

- OIML test report up to 6000 d
- Use as single-, dual- or triple-range balance
- Four limit value switches with hysteresis
- RS-485-interface
- Two digital control inputs
- Four digital outputs (limit value switches or filling and batching control)
- Degree of protection IP65



Dimensions (in mm; 1 mm= 0.03937 inches)



# Specifications

Type		WE2107M	
Max. number of scale intervals accord. to OIML R76 (class III, IIII)	d = e	6000; Multi-range	
Multi-range applications	d = e	2x3000: 3x2000	
Input sensitivity	$\mu\text{V/e}$	$\geq 0.6$	
Measuring range	mV/V	$\pm 2$ ; max. $\pm 3.2$	
Min. input resistance of the load cell	$\Omega$	60	
Max. input resistance of the load cell	$\Omega$	4000	
Load cell excitation voltage	$V_{\text{DC}}$	5	
Cable length between WE2107 and load cell(s)	m	max. 100	
Measuring rate	Meas./s	200	
Filter, adjustable, FMD0	Cut-off frequency (-3 dB)	0.0625	0.125
	Transient respond time	0.25	0.5
		1	2
		4	8
		25	
		16000	8000
		4000	2000
		1000	500
		250	125
		80	
		2	2.5
		3	4
		5	6
		7	8
		10	
		566	450
		380	310
		240	170
		160	150
		140	
Power supply without analog output connected	$V_{\text{DC}}$	12 ... 30; 24 nominal	
Power supply with analog output connected	$V_{\text{DC}}$	18 ... 30; 24 nominal	
Power consumption (incl. Display lighting)	W	6	
Display		LCD with back-lighting	
Hight of display	mm	20	
Status symbols		Zero, Net, Motion, Unit, Range	
Keys		Foil keyboard (tactile feedback)	
Number of digital inputs		2	
Input voltage IN1/2, Low	V	0 ... 1.0	
Input voltage IN1/2, High	V	3 ... 30	
Input resistance	k $\Omega$	10	
Number of digital outputs (High side switch)	V	4	
max. output current/output	A	0.6	
Power supply, outputs	V	12 ... 30; 24 nominal	
Serial interface (COM1)		RS-485	
Baud-rate, adjustable	Bd	1200 ... 38400	
Serial interface functions (COM2)		Print, serial display (autom. output), PC-connection via RS-232	
Analog output	mA	4 ... 20	
Burden	$\Omega$	100 ... 500	
Resolution	$\mu\text{A}$	15.6	
Nominal temperature range	$^{\circ}\text{C}$ [ $^{\circ}\text{F}$ ]	-10 ... +50 (+40*) [14 ... 104 (104*)]	
Operating temperature range	$^{\circ}\text{C}$ [ $^{\circ}\text{F}$ ]	-20 ... +60 [14 ... 140]	
Storage temperature range	$^{\circ}\text{C}$ [ $^{\circ}\text{F}$ ]	-40 ... +85 [-22 ... 158]	
Weight, approx.	kg	1	
Degree of protection per EN 60 529 (IEC 529)		IP65 (only front plate)	
Immunity level (EMC) accord. to EN 45501 (3 V/m)		additional tested up to 10 V/m	
Housing material		Stainless steel (only front plate)	

\* according to OIML, legal for trade

Order no.: 1-WE2107M-SS-1

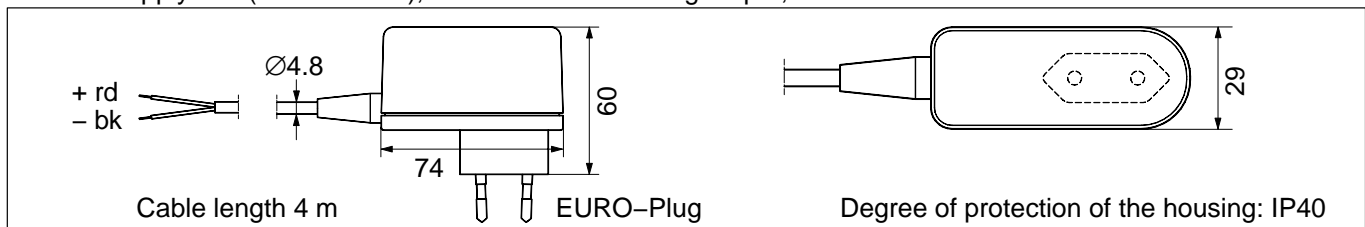
## Accessories

Included in the scope of supply:

- CD-ROM with WE2107-Panel-Software, Communication Protocol for PC and documentation

To be ordered separately:

- Power supply unit (100 ... 240 V), not for use with analog output, Order no. 1-AC/DC15V/550mA



Modifications reserved.

All details describe our products in general form only. They are not to be understood as express warranty and do not constitute any liability whatsoever.

托驰 (上海) 工业传感器有限公司

上海市嘉定区华江路348号1号楼707室

Tel. 021-51069888 Fax. 021-51069009

www.yanatao.com zhang@yanatao.com



measurement with confidence